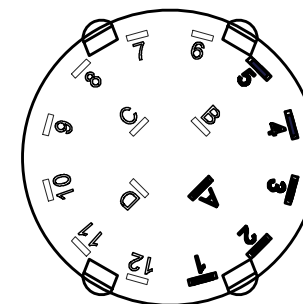
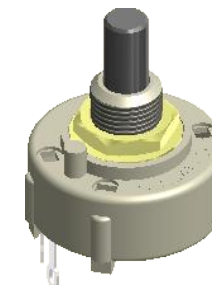
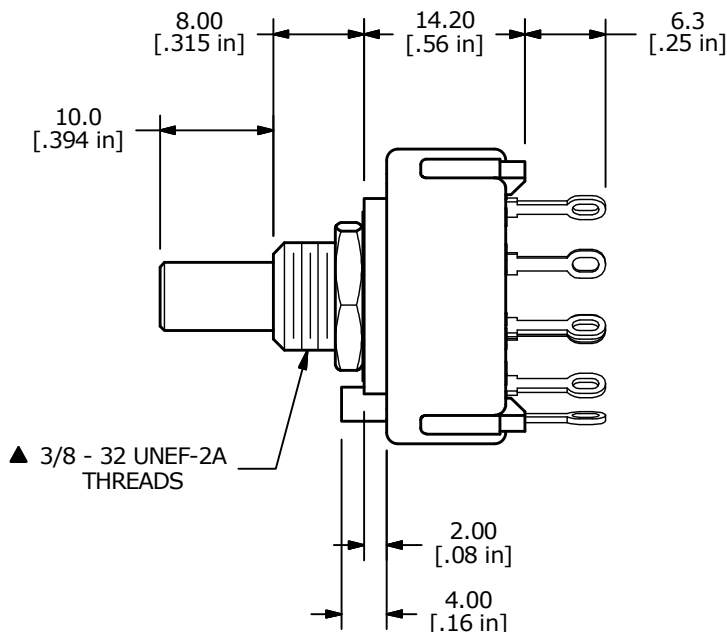
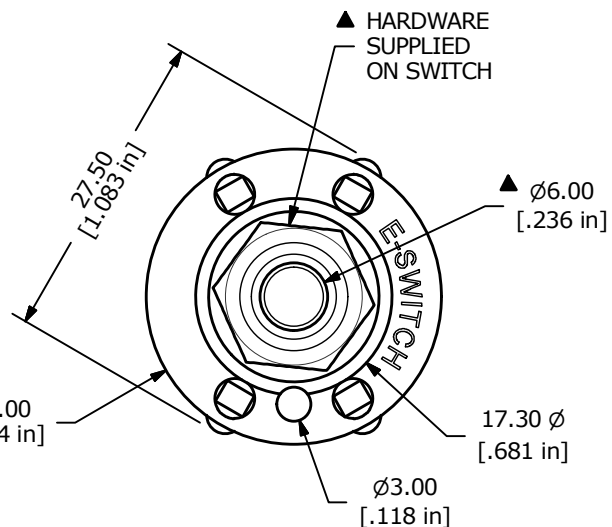


CONTACT CONFIGURATION  
TIMING (BBM) NON-SHORTING



NOTE:

1. ALL DIMENSIONS IN MM[INCH].
2. GENERAL TOLERANCE: X.X =  $\pm 0.4$   
X.XX =  $\pm 0.25$
3. TERM. NOS. FOR REFERENCE ONLY.
- ▲ 4. CONTACT MATERIAL: SILVER
5. CONTACT RATING: 150MILLIAMP, 250VAC/DC  
350MILLIAMP, 110VAC/DC
6. CONTACT RATING (NON-SWITCHING) 0.3A @ 125VAC
7. CONTACT RESISTANCE: 50 Mille-OHM Max.
8. ROTATIONAL TORQUE:  $0.8 \pm 0.3$  Kg-CM
9. OPERATING TEMP: -30°C to 85°C
- ▲ 10. CIRCUIT SP: 5 POSITION 30° INDEX.
11. DIELECTRIC STRENGTH: 1000V RMS MIN. @ SEA LEVEL
12. WITHSTAND VOLTAGE: 500VAC FOR 1 MINUTE.
- ▲ 13 HARDWARE SUPPLIED ON SWITCH:  
LOCKWASHER, HEXNUT, STOP RING
14. ▲ DENOTES CRITICAL PARAMETER.
15. 2011/65/EU (ROHS) COMPLIANT



TITLE KC15B10.001NLS				
SCALE 3:2	DATE 11/9/2017	DR MW	DWG G527972	REV A

A	23082	RELEASED FOR PRODUCTION	11/9/17	MW
REV	PCR NO	DESCRIPTION	DATE	BY

THE INFORMATION CONTAINED IN THIS DOCUMENT IS PROPRIETARY TO E-SWITCH AND IS NOT TO BE COPIED OR TRANSFERRED